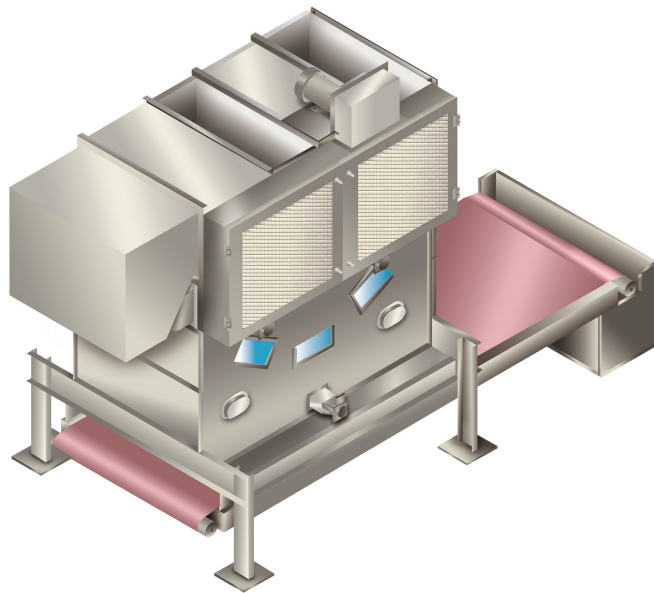




## New SAP Only Recovery System



Exclusively developed and offered by Osprey, the New SAP ONLY Recovery System reclaims valuable SAP with a proven three-stage process.

This economical process is continuous and easy to use. Soft disposable products are loaded onto an infeed unit. This material is then size reduced and discharged automatically into the recovery section of the system. Once separated from cellulose and nonwoven, SAP is de-dusted and conveyed to a convenient loading station. Customers can choose from a variety of waste handling options.

The system is ideal for manufacturers looking to maximize their short-term return on investment utilizing materials already purchased. For more information on this new development and others, please contact us direct or through our sales representatives worldwide.



1835 Briarwood Road, NE Atlanta, Georgia 30329  
Tel.: (404) 321-7776 Fax: (404) 634-1401  
www.ospreyfilters.com  
e-mail: sales@ospreyfilters.com